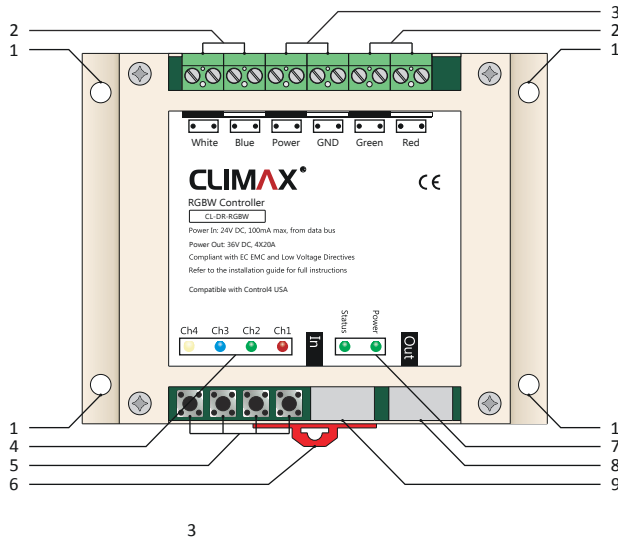


## PART DESCRIPTION

1. Screw holes
2. Output connectors
3. Power inputs
4. Channel LEDs
5. Control buttons
6. Rail mounting clips
7. Status LEDs
8. RS-485 jack
9. RS-232 jack



# CLIMAX<sup>®</sup>

Live in Harmony

## INSTALLATION GUIDE version 1.0.1



**RGBW Controller (CL-DR-RGBW)**

Product Specification	<b>Input Voltage</b>	8V-24V DC		
	<b>Input Current</b>	100mA (for 24V DC)		
	<b>I/O Connections</b>	<b>C-Bus</b>	2 X RJ45	
		<b>RS-232 (Direct Mode)</b>	1 X RJ45	
		<b>Output</b>	4 X 20A_ up to 36V DC (rising-edge 5mm screw terminals)	
	<b>PMW Output Frequency</b>	340 Hz		
<b>Max Load</b>	36V X 80A (2880W)			

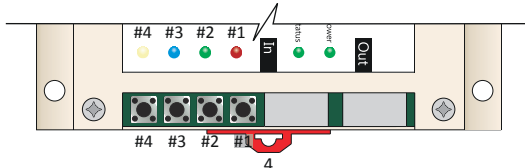
## SETUP & PROGRAMMING

### Change Module Address

In order to change the module address follow steps below consecutively and uninterruptedly:

1. Disconnect the main power. Hold button #1 & #2 simultaneously (button's and LED's number sequence is considered from right to left as shown in following picture).
2. Reconnect the main power. Release button #2 after LEDs #1 to #4 flashed. Then release button #1 after LEDs #1 and #2 flashed. Power LED will start flashing quickly.
3. Press button #1, 4 times. Then the module address will be displayed by LEDs in binary.
4. Press button #1 to increase the module address and button #2 to decrease it.
5. Press button #3 to save the module address and button #4 to cancel. After saving the new module address or canceling the process, the module will reset.

⚠ The devices which are connected from a common interface cannot have same module address.

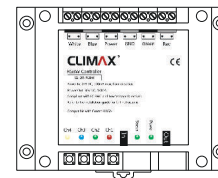
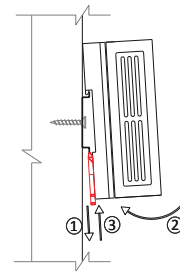


## MOUNTING

### Rail Mounting

RGBW Controller is designed to be installed on a standard 35 mm wide DIN rail (EN 50022, BS 5584).

Hook the module from the top, pull down the rail mounting clips, push the module to the rail and release the rail mounting clips.



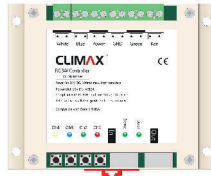
### Screw Mounting

Screw the module to any surface through 4 corner screw holes.

## WIRING 1

**⚠ Before wiring the device, always unplug the main power.**

Follow this wiring for direct or network use of modules.



From:  
Control4 home controller (direct mode) or  
previous module (network mode)

From: Main Power 8V-24V DC (direct mode)  
To: Next Module (network mode)

**⚠ Use the terminator socket for the last module in C-Bus network.**

5

## SETUP & PROGRAMMING

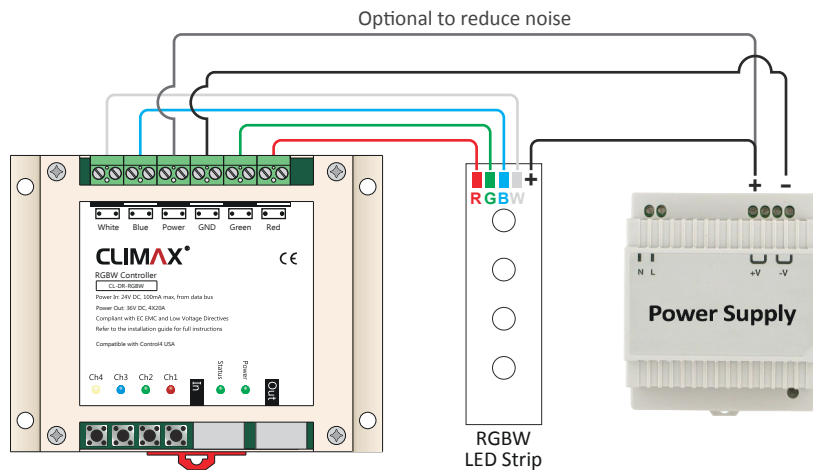
### Module's LEDs

- **Power:** When the module is connected to main power, "Power LED" will flash smoothly.
- **Status:** When the module is connected to C-Bus network and receives valid data packets, "Status LED" flashes quickly. "Status LED" is "off" when the module doesn't receive any data. In direct mode, "Status LED" will flash once when the module receives a valid data packet from Home Controller. When the module is receiving invalid data packet, "Status LED" will remain "on" for 5 seconds.   
**👉** In some cases, when a new module is added to C-Bus network, "Status LED" might remain "on" for 5 seconds. This situation must not be considered as an error.
- **Ch1 to Ch4:** Shows the status of module's channels except when scenarios are running. Also when the module is connected to main power, The channel LEDs will display the module address in binary for 2 seconds.

7

## WIRING 2

Follow the diagram below to connect module to RGBW LED strip.



6

## SETUP & PROGRAMMING

### Switching between Direct Mode and Network Mode

1. Disconnect the main power. Hold button #1 & #2 simultaneously (button's and LED's number sequence is considered from right to left as shown in page 4).
2. Reconnect the main power. Release button #2 after LEDs #1 to #4 flashed. Then release button #1 after LEDs #1 and #2 flashed.
3. Press button #2, 4 times.
4. To switch between direct and network mode, press button #2. LED #2 will display whether the device is used in direct or network mode. If it is "on", the device is in direct mode and if it is not the device is working in network mode.
5. Press button #3 to save the changes and button #4 to cancel.

8